



# Pellet Mill

## Kubex 5 Series



# Kubex 5 series pellet mill.

## With most advanced design and technology.

### New member of Bühler pelleting family

Kubex 5 series pellet mill is jointly developed by Bühler Changzhou and Bühler headquarter in Switzerland. The new machine provides a perfect choice for global swine and poultry feed market.

### Specialist of livestock pelleting

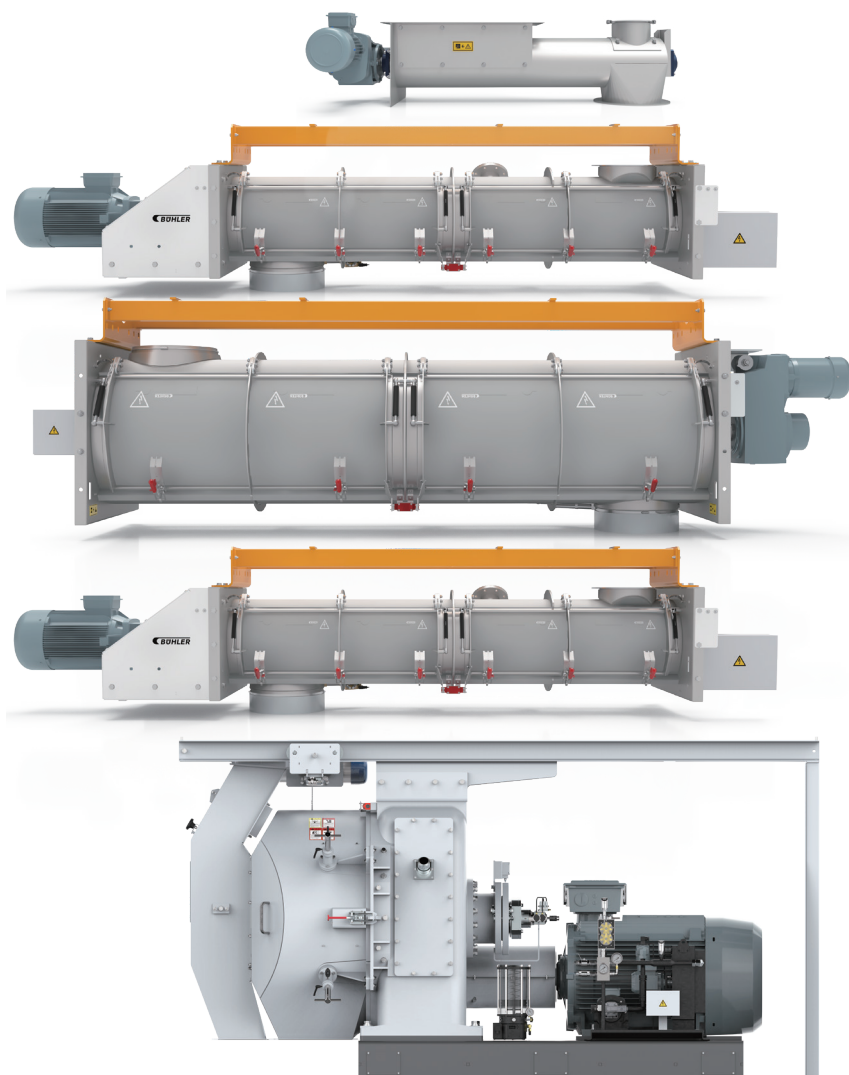
Kubex 5 series covers the production capacity from 15 to 60 t/h. Compact structural design, robust quality which brings the performance of the machine to a new level.

### With most advanced design and technology

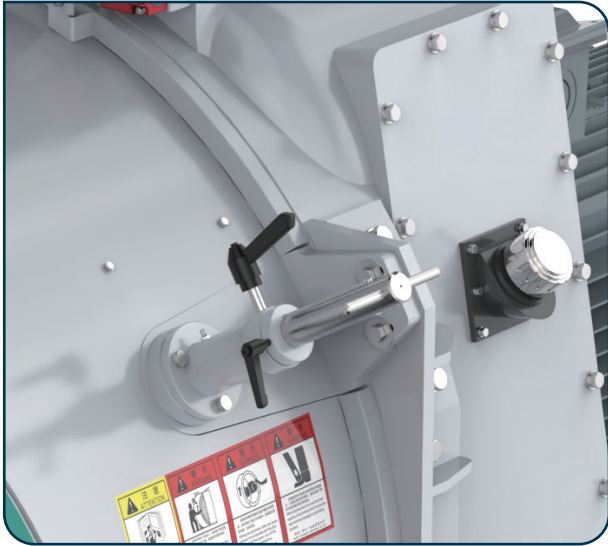
Kubex 5 pellet mill acquires the most advanced modular design concepts, it is the outcome of generations of efforts from Bühler R&D engineers.

### Globally unified manufacturing standard

Kubex 5 series pellet mill is manufactured under Bühler global unified standard, the quality of the machine is always guaranteed.

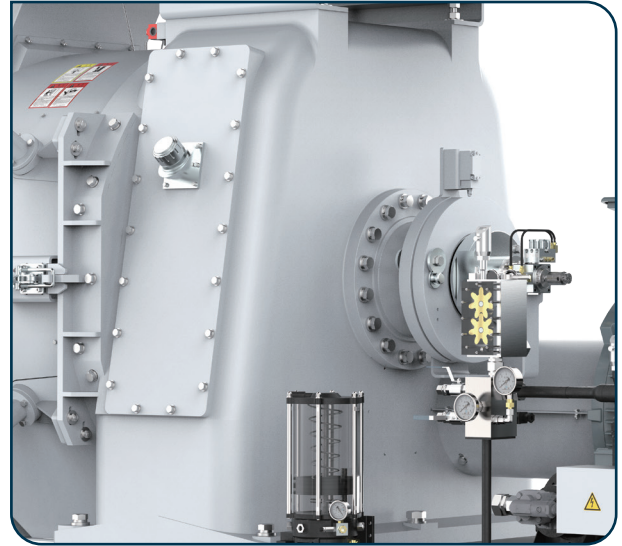


# Kubex 5 series pellet mill. **Performance attributes.**



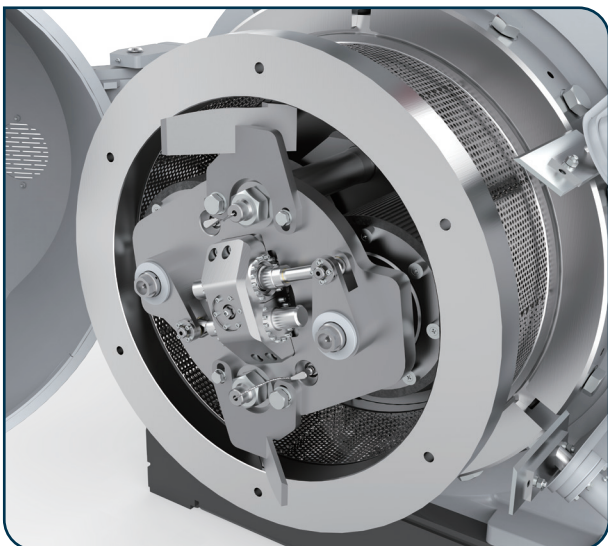
## **Independent cutter frame**

- Faster open/close doors
- Easy to calibrate cutter position
- Special designed sealing structure to prevent steam and material leakage



## **Customized brand-new gearbox**

- High transmit efficiency, improves durability
- All-in-one design of thin oil lubrication and cooling system
- Exclusive shape aesthetics



## **Professional pelleting design**

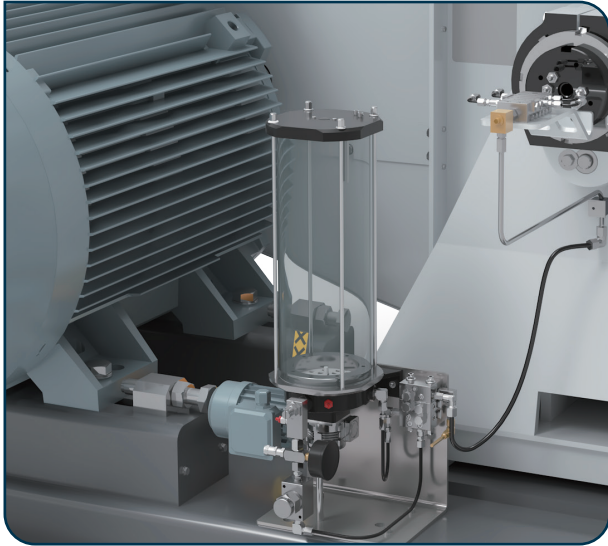
- Unique scrapper design to ensure the uniformity of feed intake
- All-in-one design of die ring and reinforcing ring, saving time and money when replacing die
- Reinforced press roll structure, uniform pressure on feed layer, better pellet shape and quality



## **Brand new exterior design**

- Delighting aesthetic design
- Innovative double layer pelleting cover, one step closer to hygienization
- All elements shows ECO friendly principle of Bühler

# Kubex 5 series pellet mill. **Performance attributes.**



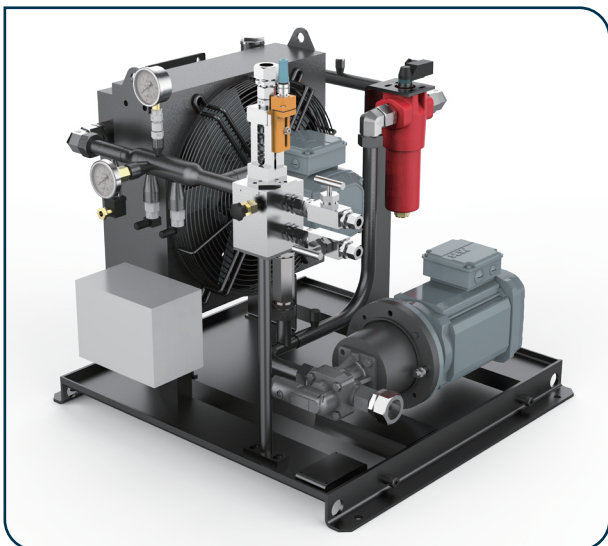
## **Central lubrication system**

- Automatically protecting bearings, main shaft and press rolls
- Saving labor, no need to refill grease between each operation
- Better performance on lubrication, all parts being lubricated continuously



## **Magnetic iron removal plate**

- Magnetic intensity up to 3000Gs
- Iron dust totally removed when entering pelleting chamber
- Protects die and press rolls, improve feed quality



## **Thin oil lubrication/cooling system**

- Ensure the continuous stable performance of the gearbox
- Automatic control the circulation and cooling process
- Actively lubricates multi bearing positions and gear sets

# Kubex 5 series pellet mill.

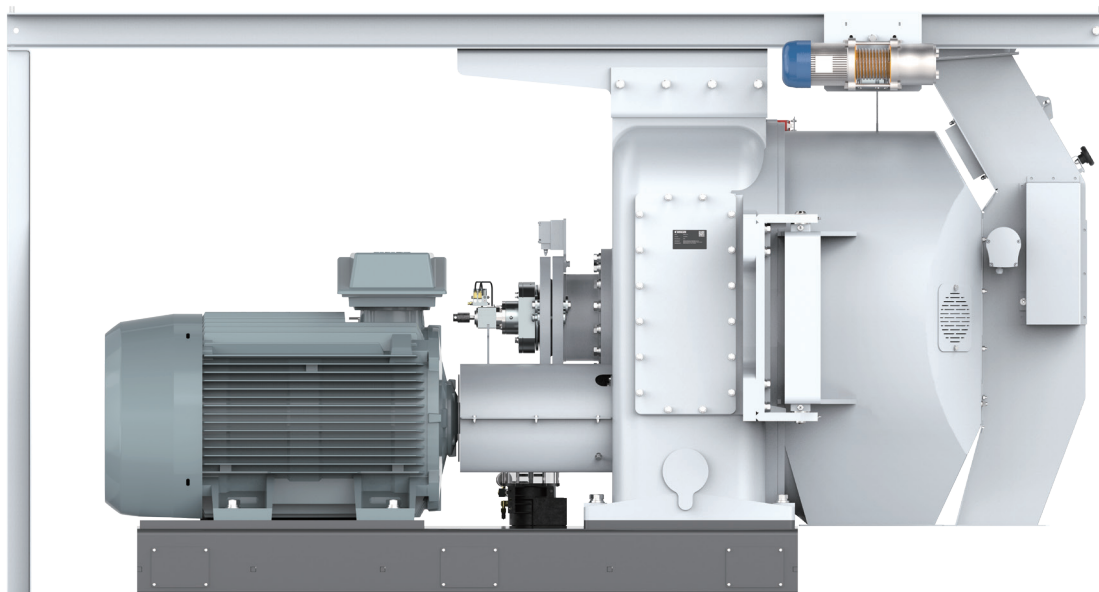
## Technical data.

### Technical data

<b>Die inner diameter</b>	680mm	780mm	900mm
<b>Die effective width</b>	205mm, 235mm, 270mm	235mm, 270mm, 310mm	310mm, 340mm
<b>Press roll diameter</b>	315mm	365mm	425mm
<b>Motor power (50Hz)</b>	200kW, 250kW	315kW, 355kW	400kW, 450kW
<b>Die speed</b>	6.5m/s, 7.7m/s (50Hz), 7.9m/s, 9.3m/s (60Hz)	6.6m/s, 7.9m/s (50Hz), 7.9m/s, 9.5m/s (60Hz)	7.73m/s (50Hz), 7.60m/s (60Hz)
<b>Number of press rolls</b>	2	2	2
<b>Number of cutters</b>	2	2	2
<b>Cutter thickness</b>	8mm	8mm	8mm

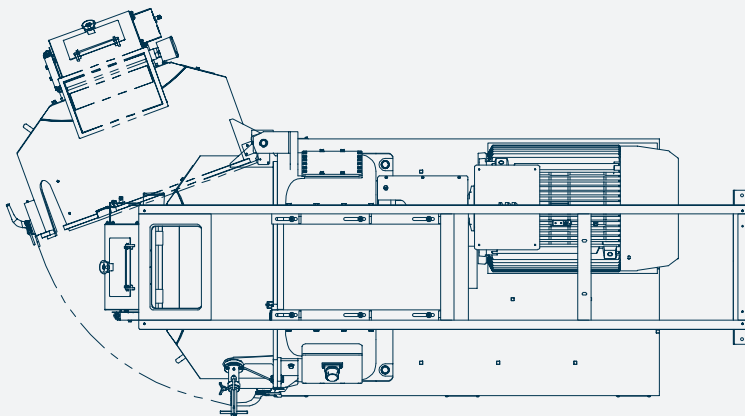
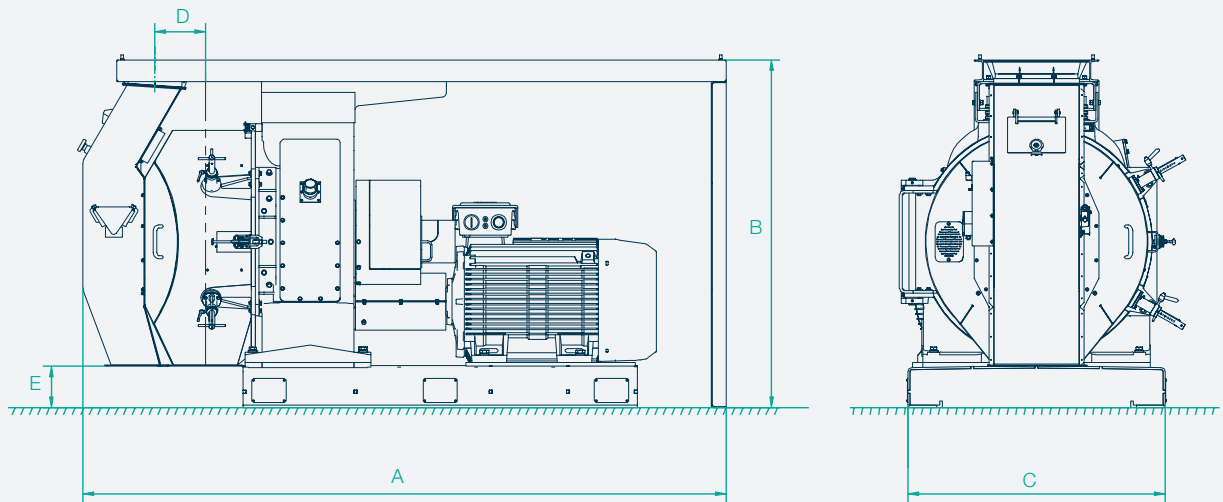
### Capacity

Die hole (mm)	Compress ratio	680 Capacity (T/h)	780 Capacity (T/h)	900 Capacity (T/h)	Category
D3.2	7	26-30	38-42	48-52	Poultry
D3.5	9	28-32	40-43	50-53	Adult poultry
D4.0	7	30-35	42-46	52-56	Swine



# Kubex 5 series pellet mill. Dimensions.

Type	A	B	C	D	E
Kubex 5-680	3754	2031	1500	296	244
Kubex 5-780	3754	2031	1500	296	244
Kubex 5-900	4880	2365	1760	315	256



# Service for demanding customers. **Available worldwide, reliable and fast.**

Perfection is achieved when your production process is aligned with the best possible outcome. Enabled by an integrated approach that combines process expertise, equipment know-how and data, we at Bühler aim to get the most out of your assets.





### Lab services

The laboratories offer a broad range of analyses and testing of food and technical materials in order to innovate processes and improve equipment for our customers.

### Spare and wear parts

Highest standards of reliability apply to original Bühler spare and wear parts. They are perfectly adjusted and ensure performance and production safety.

### Training

At Bühler training centers – or at any site worldwide – specially trained experts pass on their hands-on expertise and knowledge to customers' employees.

### Revision

Bühler evaluates, over hauls, adjusts or renews customer installations, including Bühler and non-Bühler machines.

### Consulting

Strategic, plant performance, or energy consulting are just some of the consulting services to improve product quality, production processes and energy efficiency.

### Repairs

Dedicated to minimizing downtime in the event of an incident: Fast and reliable technical repair service via the Bühler eTicket or the Bühler Helpline – worldwide, 24/7.

### Maintenance

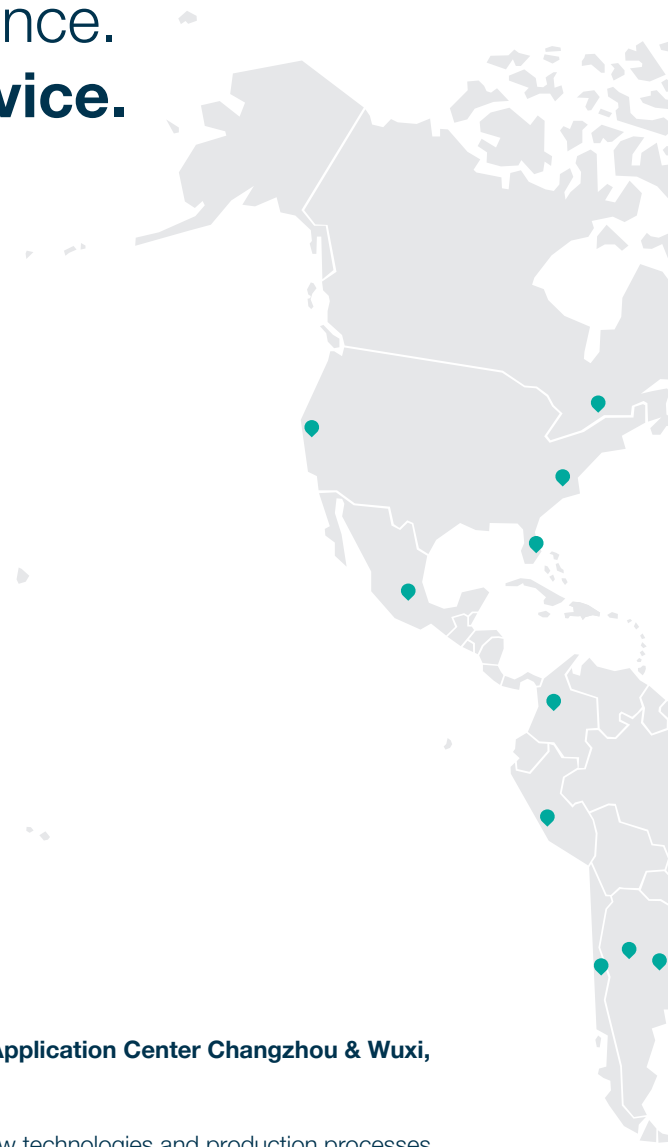
Packages are adjusted to fit production cycles to prevent downtime, loss in production efficiency or product quality, ranging from individual services to complete outsourcing of maintenance.

### Retrofits

With individual upgrades and conversion kits, time-worn Bühler machines will perform to current standards of technology and efficiency.

# Global expertise. Local presence. **A lifetime of customer service.**

Bühler customer service provides assistance not only to keep your machines, plants and facilities running at a high operational level, but also to prolong their service life, thus maximizing return on investment. You can test new products, shapes, recipes, textures, flavors, technologies and optimize your production process on fully equipped production lines and laboratories at our Application Centers world wide.



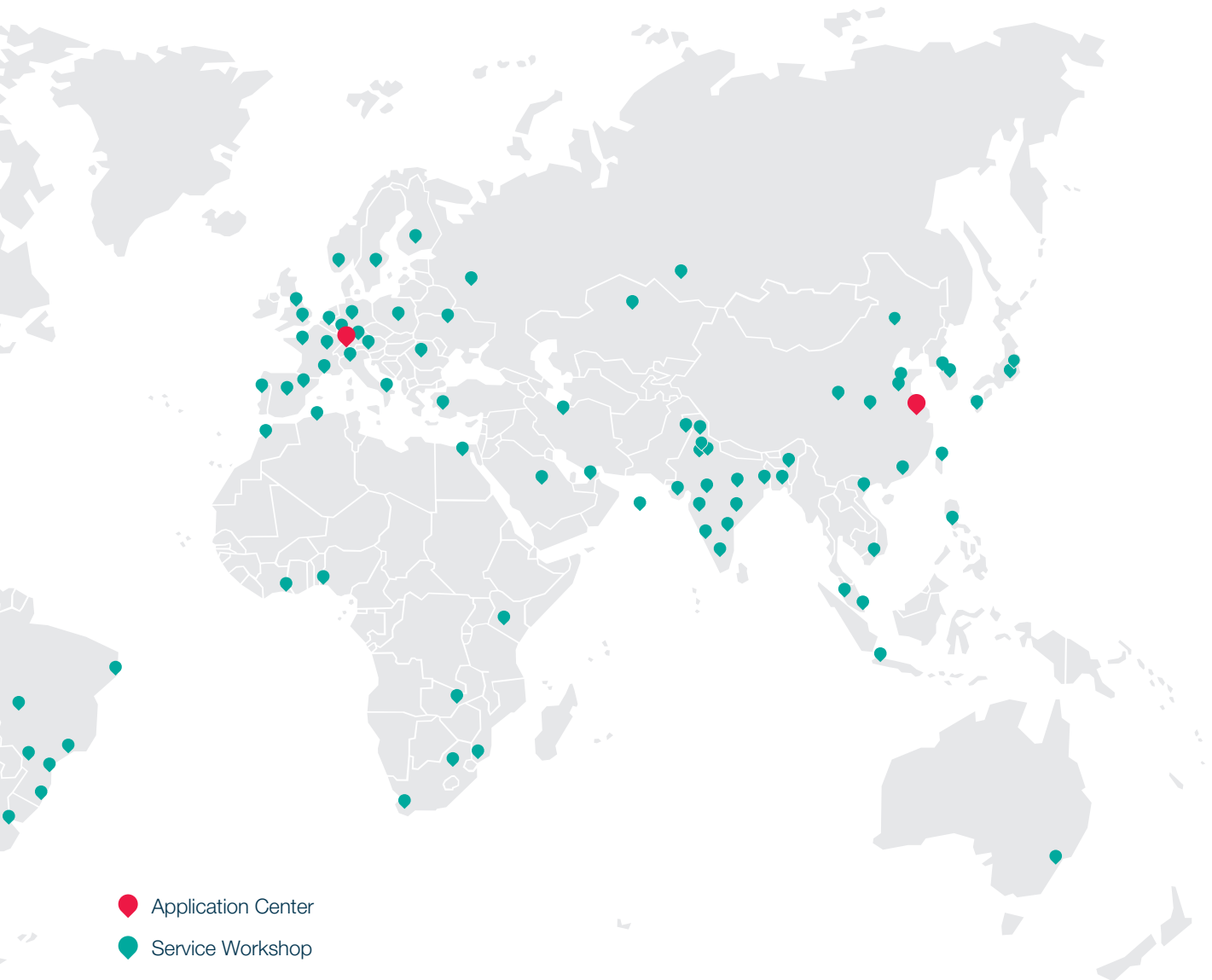
## **Nutrition Application Center Changzhou & Wuxi, China**

Test our new technologies and production processes and see how our latest technologies can help make your products. We use state-of-the-art technology – with the possibility to integrate your own machines.



## **Grain Innovation Center Uzwil, Switzerland**

The brand-new innovation center for Grain and Food application located in Bühler headquarter can bring possibilities to any new development in the food and feed industries. It is a compact size feed mill ready anytime to conduct all kinds of feed trials and quality tests. There is even a Kubex 5 gear drive pellet mill sitting in there.



## Customer advantages.

- With specialist manufacturing and service locations all around the world, our support engineers and technicians are never far away, ready to help you resolve issues or take a proactive role in improving the overall performance of your facility.
- Join a seminar or let us train you in person. We run several workshops a year for theoretical and hands-on training. These can also be conducted at the Application Centers or at your production site.
- Work across multiple application centers to optimize all processes through the production line (e.g. grain technology and milling solutions) and develop end-to-end solutions.

**Bühler (Changzhou) Machinery Co., Ltd.**

No.88, Yunmei Road, Tianmu Lake Industrial Park,  
213332, Liyang, Jiangsu, China

Tel : +86 519 8796 6666

Fax: +86 519 8796 6000

Email: [buhler.bcha@buhlergroup.com](mailto:buhler.bcha@buhlergroup.com)

<http://www.buhlergroup.com/feed>