

Sieve Tensioning Device.  
**NOVATENS.**

NOVATENS is a pneumatic sieve tensioning device for covering the insertion frames of plansifters and purifiers. Due to its high and even clamping force the best sieve tensioning results are achieved.

With the sieve tensioning device NOVATENS, a variety of different insertion frames can be easily covered. NOVATENS is compatible with all frame sizes and is suitable for the covering of wooden and aluminum frames as well as for insertion frames made of stainless steel. The tensioning device stretches all types of sieve fabrics, i.e. polyamide (PA), polyester (PET) and metal mesh.

Using compressed air, NOVATENS creates a high and even tension in all directions, thereby achieving the best tensioning results. The robust and precise construction prevents the insertion frame from slipping out of the jaws and thus allows a secure stretching of the sieve fabric.

#### Advantages

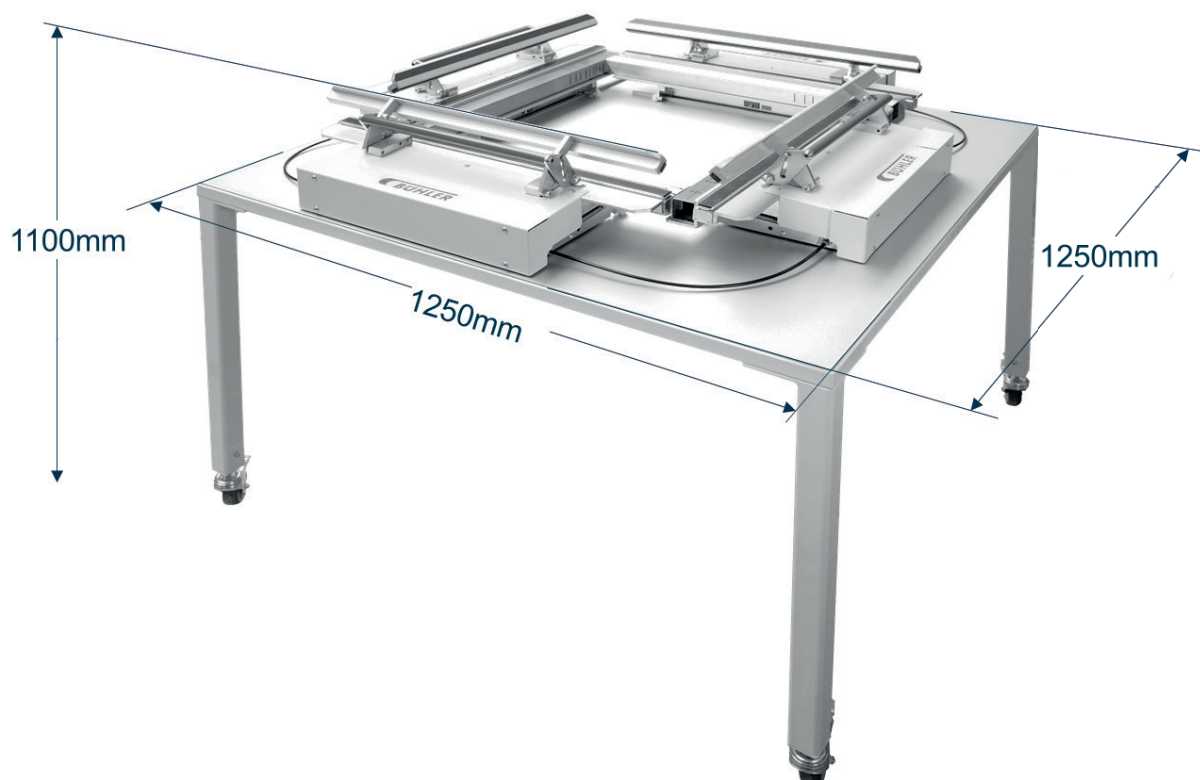
- Easy handling
- Suitable for all frame types and fabrics
- Uniform stretching in all directions

# Easy handling. Uniform stretching.

## Technical data and dimensions.

	Value
Jaw width clamp	730 mm
Clamping stroke	50 mm
Operating pressure	4-8 bar
Air consumption	16 l/min
Frame sizes	500-730 mm

\*Annotation: The compressed air has to be dry as well as oil-, water- and dust-free.



## Order information.

	Order number	Quantity
Sieve tensioning device NOVATENS MPBC-1 (single-frame)	UNW-82030-001	
Sieve tensioning device NOVATENS MPBC-2 (double-frame)*	UNW-82030-002	

\*Not suitable for the covering of two NOVAPUR frames at the same time. Please order for this NOVATENS MPBC-1.